

FemtoYL-1030-Seed

YSL Photonics' FemtoYL-1030-Seed is the latest product of femtosecond fiber seed. It has a center wavelength of 1030nm, the spectral width is 2, 5, 10nm. The seed has a repetition rate of 40MHz or an adjustable range of 25kHz-40MHz, combined with the PM980 single-mode fiber output, which is an ideal seed source for solid lasers and fiber lasers.

Key Features:

- Center wavelength : 1030nm
- Spectral width : 2, 5, 10nm
- Repetition rate : 25kHz-40MHz
- Pulse energy : > 5mw
- PM980 output

Application:

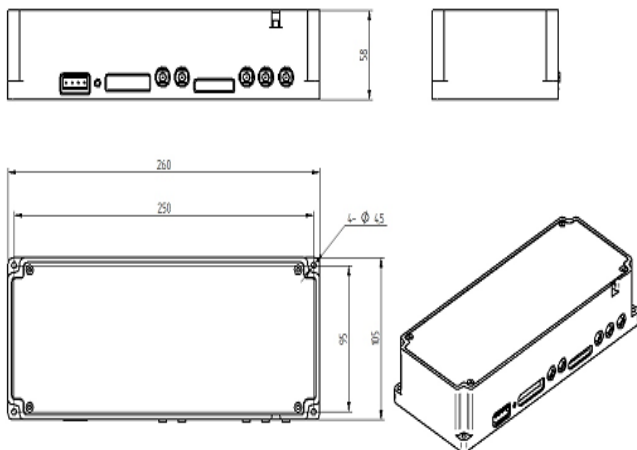
- Solid laser seed source
- Fiber laser seed source



Specifications :

Model	FemtoYL-1030-Seed
Power	>5mW
Center Wavelength	1030nm
Spectral width	2,5,10nm (Fixed)
Repetition Rate	40MHz (Fixed) 25kHz-40MHz (-PP Variable)
Pulse width	< 5ps
Compression pulse width	<800fs(2nm) <400fs(5nm) <200fs(10nm)
Output	PM 980 Sing-mode fiber (or fiber collimated output)
Size	250*105*58mm (Fixed) 350*105*58mm (-PP Variable)

PicoYL-1064-Seed



PicoYL-1064-Seed-PP

